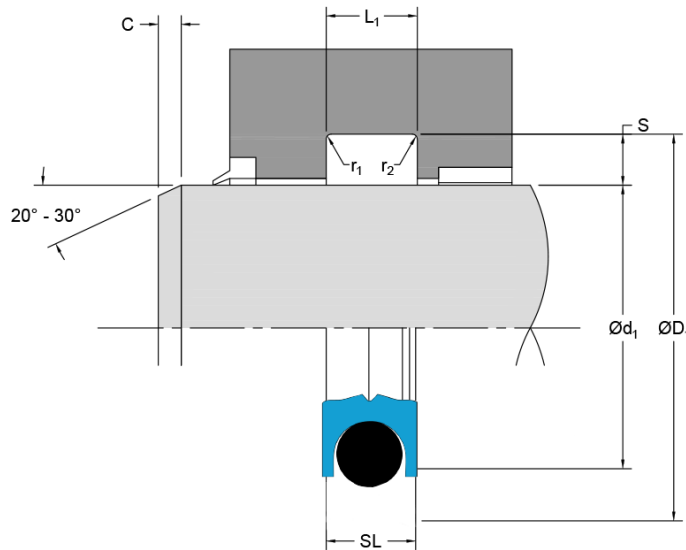


**PKSP**



**Technical Details      Metric      Inch**

<b>Operating conditions</b>		
Maximum speed	1.0 m/sec	3.0 ft/sec
Temperature range	-45°C + 110°C	-50°F + 230°F
Maximum pressure	400 Bar	6000 p.s.i

**Maximum extrusion gap**

Pressure bar	160	250	400
Maximum gap mm	0.6	0.5	0.4
Pressure p.s.i	2400	3750	6000

**Surface roughness**

	µmRa	µmRt	µinCLA	µinRMS
Dynamic sealing surface	0.1 - 0.4	4 max	4 - 16	5 - 18
Static sealing face	1.6 max	10 max	63 max	70 max
Static Housing faces	3.2 max	16 max	125 max	140 max

**Chamfers & Radii**

Groove section	4.0	5.0	7.5
Min chamfer C mm	3.0	3.5	5.0
Max fillet rad r <sub>1</sub> mm	0.2	0.4	0.8
Max fillet rad r <sub>2</sub> mm	0.4	0.8	1.2

**Tolerances**

ød	øD	Lmm
f9	Js11	+0.25 - 0

**DESIGN**

PKSP is a compact double acting piston seal which is suitable for low to high pressure, medium to heavy duty applications. The seal design comes with a standard self lubricating cap ring which is loaded with an energiser.

It is designed to be used in a variety of equipment and is suited for earthmoving equipments. It also comes in a wide range of material options to extend its service temperature range.

**FEATURES**

- Made of high performance polyurethane
- Excellent resistance to abrasion
- Long life

**MATERIAL**

Seal design comes in a variety of materials and sizes. For more information, please refer to MSDS datasheet.

**APPLICATIONS**

Light to medium duty applications

