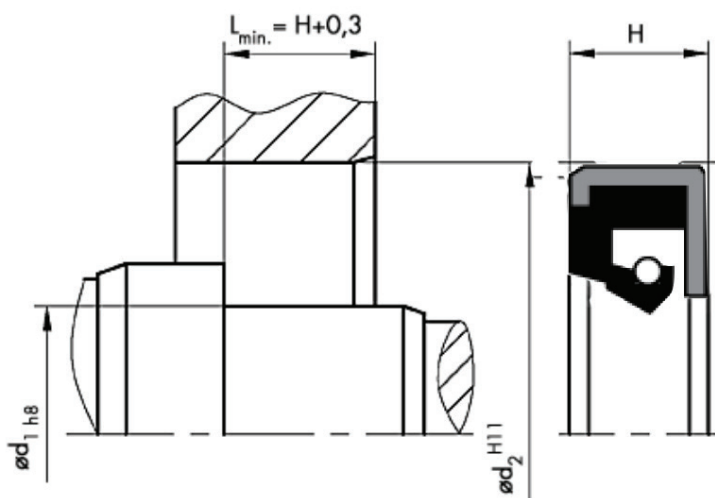




# BP3DC



## Technical Details

Operating conditions	
Shaft surface speed	16.25 m/sec
Temperature range	-29°C + 121°C
Maximum pressure	0 to 0.48 Bar

## DESIGN

BP3DC is a general purpose spring loaded, single lip seal. It features a non-metallic composite for a damage free installation. BP3DC can be furnished with or without a spring retainer.

## FEATURES

- Flexible for easy installation
- Long life
- Comes in a wide range of sizes
- General service seal
- Solid or split design

## MATERIAL

Seal design comes in a variety of materials and sizes. For more information, please refer to MSDS data-sheet.

## APPLICATIONS

For oil retention or grease retention.

General applications:

Electric motors, gearboxes, pumps, fans, runout tables, paper rolls, mixers, work rolls and custom equipments.