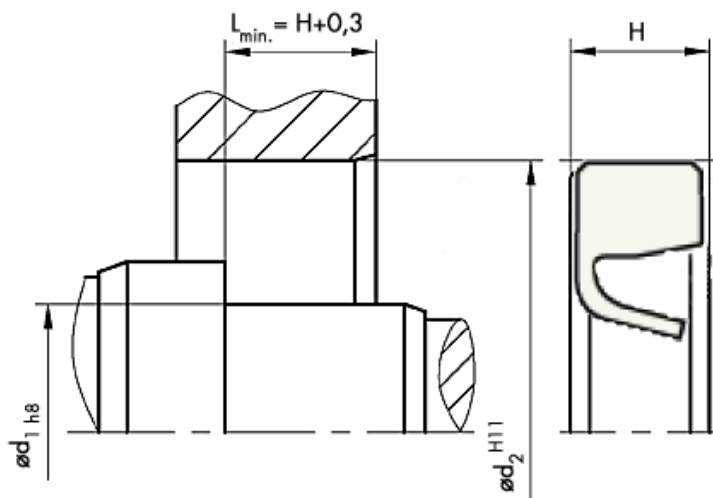




BP17A



Technical Details

Operating conditions	
Shaft surface speed	10.2 m/sec
Temperature range	-29°C + 121°C
Maximum pressure	0 to 0.48 Bar

DESIGN

BP17A is a general purpose springless, single lip seal. BP17A features a nonmetallic composite for a easy and damage free installation.

FEATURES

- Flexible for easy installation
- Long life
- Comes in a wide range of sizes
- General purpose seal
- For grease retention

MATERIAL

Seal design comes in a variety of materials and sizes. For more information, please refer to MSDS datasheet.

APPLICATIONS

Light duty applications