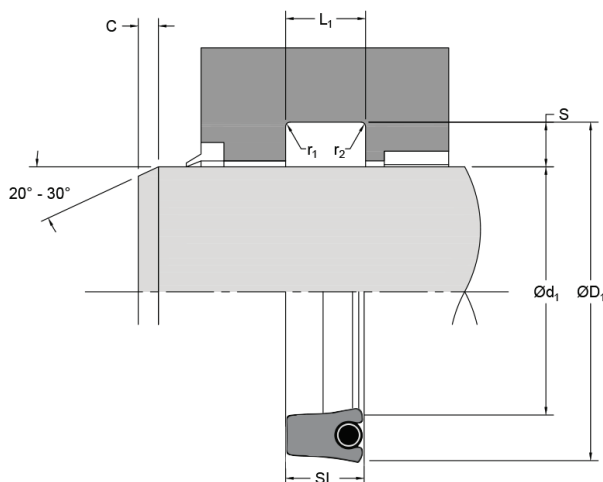


GS19H



Technical Details Metric Inch

DESIGN

Operating conditions	Metric	Inch
Maximum speed	0.5 m/sec	1.5 ft/sec
Temperature range	-40°C + 110°C	-40°F + 230°F
Maximum pressure	350 Bar	5000 p.s.i

GS19H is a rod seal in slow dynamic and static sealing application. The GS19H spring provides the high progressive spring load - smallest deflection range of all spring types. This makes it ideal for low pressure, vacuum and cryogenic sealing applications.

Maximum extrusion gap

The rounded contact surface of the seal lip promotes a thicker lubrication film on the mating sealing surface. This leads to less-wear and longer seal life span.

Pressure bar	160	250	350
Maximum gap mm	0.024	0.020	0.016
Pressure p.s.i	2400	3750	5000

FEATURES

Surface roughness

- Excellent resistance to abrasion
- Improves sealing
- Wide range of sizes
- Easy installation
- Compact housing

	µmRa	µmRt	µinCLA	µinRMS
Dynamic sealing surface Rod Ød ₁	0.1 - 0.4	4 max	4 - 16	5 - 18
Static sealing face Rod ØD ₁	1.6 max	10 max	63 max	70 max
Dynamic sealing surface Piston Ød ₁	0.1 - 0.4	4 max	4 - 16	5 - 18
Static sealing face Piston ØD ₁	1.6 max	10 max	63 max	70 max
Static housing faces L ₁	3.2 max	16 max	125 max	140 max

MATERIAL

Seal design comes in a variety of materials and sizes. For more information, please refer to MSDS datasheet.

Chamfers & Radii

APPLICATIONS

Light to medium duty applications

Groove section ≤ S in	0.125	0.187	0.250
Min chamfer C in	0.093	0.093	0.125
Max fillet rad r ₁ in	0.08	0.08	0.016
Max fillet rad r ₂ in	0.016	0.016	0.032